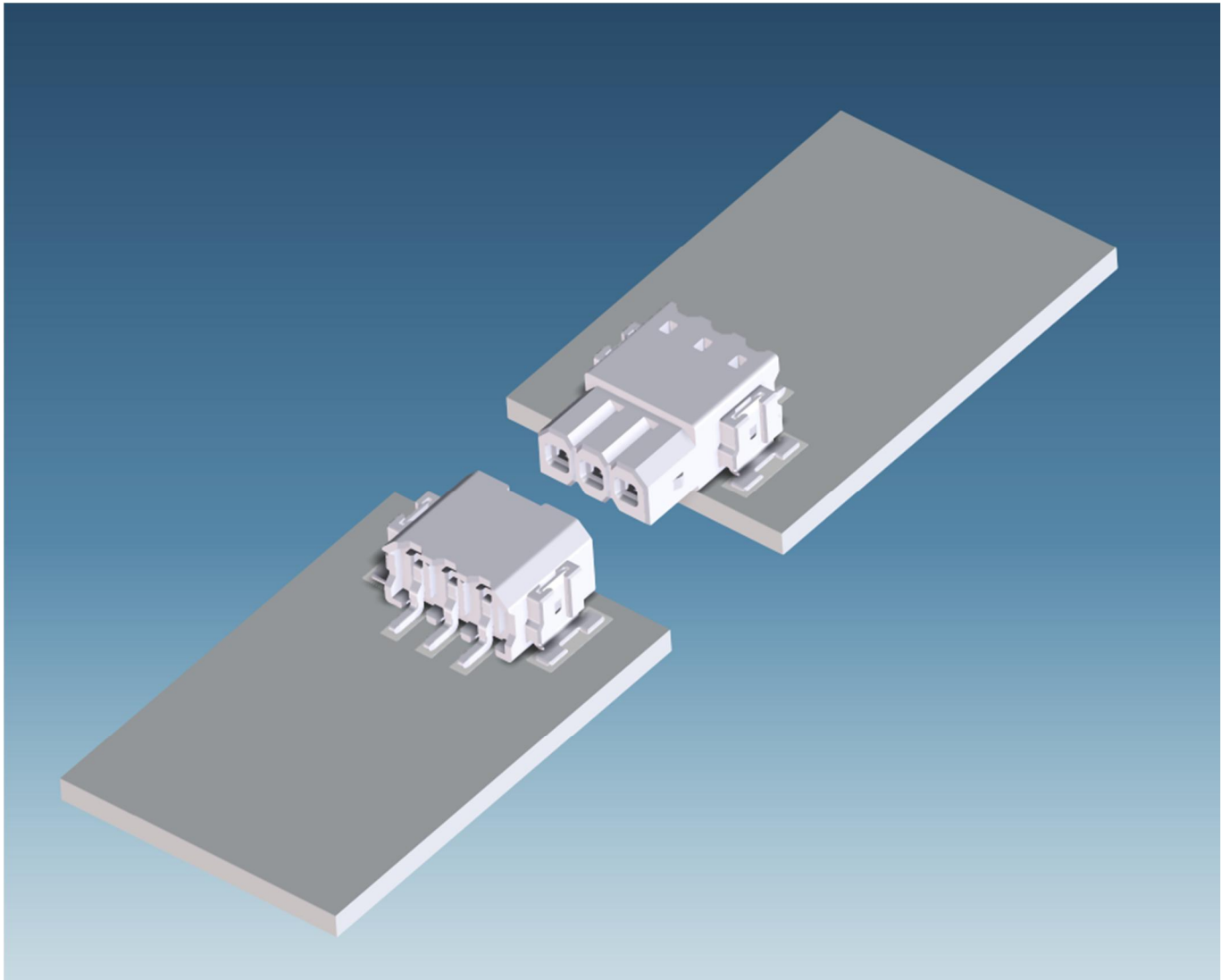


Inverted Header for simple board to board connections

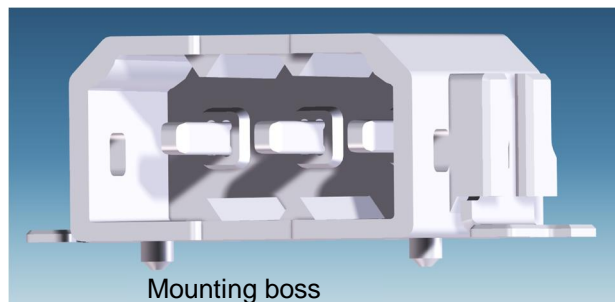
Available in June 2012: PTSM Header with more options









Available options of PTSM headers in June 2012

There are more options of PTSM headers available:

- inverted header for board to board connections
- white or black colour for complete product family
- versions with or without mounting boss



Order numbers

		Mounting boss	no Mounting boss				Mounting boss	no Mounting boss	
THR	Pos.	Black	Black	White	SMD	Black	Black	White	
straight	2	1814773	1778625	1814841	straight	1778764	1808190	1814919	
	3	1814786	1778638	1814854		1778777	1808200	1814922	
	4	1814799	1778641	1814867		1778780	1808213	1814935	
	5	1814809	1778654	1814870		1778793	1808226	1814948	
	6	1814812	1778667	1814883		1778803	1808239	1814951	
	7	1814825	1778670	1814896		1778816	1808242	1814964	
	8	1814838	1778683	1814906		1778829	1808255	1814977	
inverted	2	1810780	1815057	1814980	inverted	1810719	1815125	1815196	
	3	1810793	1815060	1814993		1810722	1815138	1815206	
	4	1810803	1815073	1815002		1810735	1815141	1815219	
	5	1810816	1815086	1815015		1810748	1815154	1815222	
	6	1810829	1815099	1815028		1810751	1815167	1815235	
	7	1810832	1815109	1815031		1810764	1815170	1815248	
	8	1810845	1815112	1815044		1810777	1815183	1815251	
straight	2		1778557	1815264	Plug		1778832	1704853	
	3		1778560	1815277			1778845	1704854	
	4		1778573	1815280			1778858	1704857	
	5		1778586	1815293			1778861	1704858	
	6		1778599	1815303			1778874	1704859	
	7		1778609	1815316			1778887	1704860	
	8		1778612	1815329			1778890	1704861	

PHOENIX CONTACT Deutschland GmbH
 32823 Blomberg
 Tel.: 0 52 35/3-00
 Fax: 0 52 35/3-1 07 99
www.phoenixcontact.com

